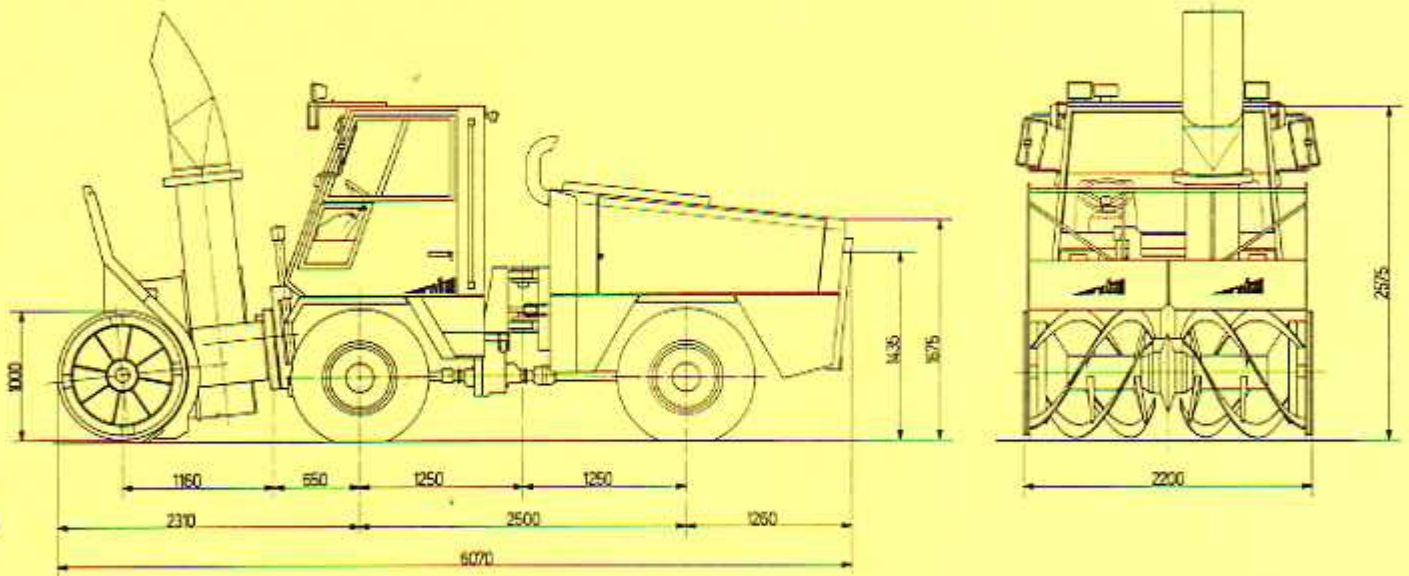


Rolba R-700



Specifications

Snowblower Rolba R-700:

Infinitely variable hydrostatic forward/reverse drive

Clearing width

Cutting rotors - Ø

Impeller - Ø

Variable height adjustment

- above surface level

- below surface level

- forward tip

Lateral tilt either side

Overload protection

Impeller housing

- tilt right

- tilt left

Spotcasting chute with loading deflector - rotation

Spotcasting chute - rotation

Scraper blade consisting of 3 interchangeable segments adjustable skids

SNV standard, quick change plate with a self centering power take-off coupling

1000 mm

1060 mm

400 mm

350 mm

50 mm

180 mm

10 deg.

hydraulic

45 deg.

90 deg.

350 deg.

360 deg.

Performance data:

Clearing capacity up to 1800 t/hr

Clearing width

a) road version, standard

b) road version, optional

c) airport version:

- with side wings closed

- with side wings opened

2200 mm

2400 mm

2400 mm

3000 mm

Clearing height, approx.

1400-1800 mm

Casting distance

variable up to 45 m

Clearing speed

0.3-30 km/hr

Travel speed

60 km/hr

Dimensions and weights:

(Equipped with Rolba rotary snowblower)

Overall length

6070 mm

Width:

a) road version, standard

b) road version, optional

c) airport version

- with side wings closed

- with side wings opened

2200 mm

2400 mm

2400 mm

3000 mm

Height to top of cab

2575 mm

Height to top of warning beacon

2800 mm

Height to top of spot casting chute

2900 mm

Height to top of loading chute

3000 mm

Turning radius outside of rotary cutter head

5700 mm

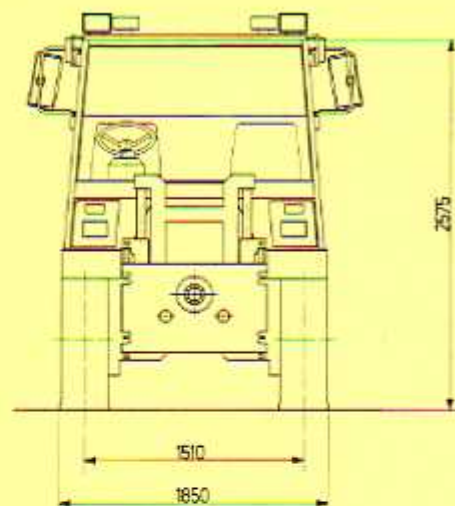
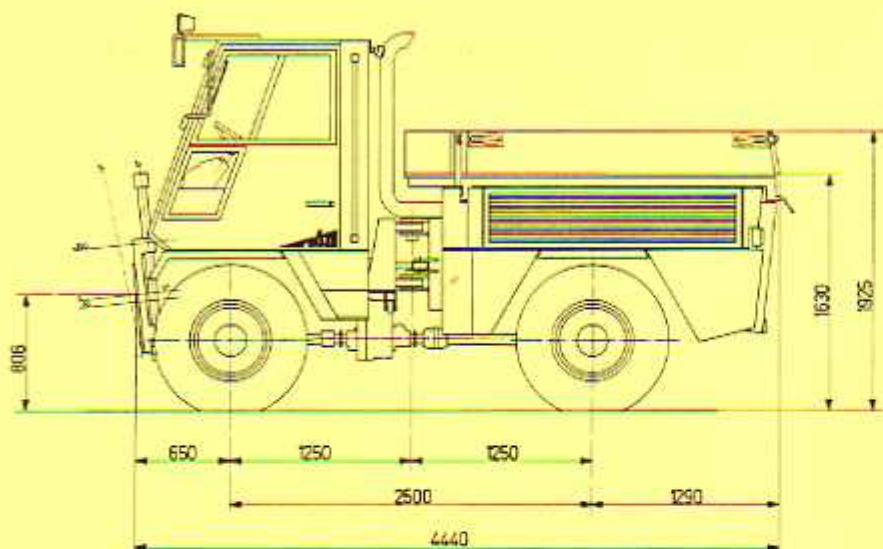
Weight:

- equipped with tipping body

- payload of loading ramp

8650 kg

2500 kg



Specifications

Carrier vehicle:

Purpose built Rolba carrier with hydraulic articulated steering
Hydrostatic vehicle drive, infinitely variable forward and reverse with 2 range gear

All wheel drive

Permanent front axle drive

Rear axle connectable

Tyres 12,5 R 20/22 PR

Driving speed

1st range

max. 30 km/hr

2nd range

max. 60 km/hr

Differential lock on both axes

Quick-change plate SNV-standard with integrated self centering power take-off coupling

Dual system servo safety brakes

The driver's cab is a self-contained, self-supporting steel construction with laminated panels insulated against noise and vibration and featuring an extremely rigid FRP-roof.

Safety glass windows

2 comfortable seats

Electrical window heating

Two-speed parallel arm windscreen wipers with interval setting

Windscreen washers

Adjustable steering

A joystick type control with multi-function for all fixed and auxiliary attachments

Cab lighting

Engine compartment light

Reversing lights

2 pieces integrated in tail lamps

Foglights

Indicator stop-hazard lights on a extension bar

Removable magnetic beacon

Dimensions and weights of carrier vehicle:

Length	4500 mm
Height top of cab	2575 mm
Height of loading ramp	1630 mm
Tracks	1510 mm
Width above tyres	1850 mm
Wheelbase	2500 mm
Net weight	6540 kg
Payload of loading ramp	2500 kg

Driving motor:

CUMMINS-Diesel, type 6 CTA 8.3

output according to DIN 70020, 179 kW (243 HP) at 2200 rpm.

6 cylinders, 4-stroke, capacity

8300 cm³

Turbo charged, with intercooler

Fuel tank capacity

250 l

Fuel consumption, approx.

25-45 l/hr

Cruising radius, approx.

5-10 hr

Battery

2 x 12 V/172 Ah, 925 A- coldstart BCI

Alternator

28 V/80 A

Standard equipment:

Engine cowl, demountable with 2 side service access doors

4 snow chains

Tool set

Optional equipment:

Carrier vehicle:

Additional heating

TV-type rear view screen

Loading ramp, 3-way dump body

Spare wheel

Rolba snowblower - unit

2 support castor wheels,

side wings, hydraulically operated scraper blade in 2 parts (Vulkolan), (interchangeable)

Ancillary equipments on request

Subject to alteration

France:
Rolba S.A.
11-15 Bd Paul Langevin
F-38600 Fontaine/Grenoble
Tel. (76) 26 58 72
Telex 320 780
Télécopieur (76) 26 09 32

Österreich:
Rolba Intropa
Industrie- und Handelsges. m. b. H.
Mantlergasse 30
A-1131 Wien
Tel. (0222) 82 36 01
Telex: 132 306
Telefax: (0222) 82 85 466

BR Deutschland:
Rolba GmbH
Enzstrasse 17
D-7014 Kornwestheim b. Stuttgart
Tel. (07154) 4908
Telex 7-22689
Telefax (07154) 24 7 14

Great Britain:
Rolba Limited
Charlwoods Road
East Grinstead
West Sussex RH 19 2 HU
Tel. (0342) 313266
Telex 95 290
Telefax (0342) 322796

Rolba Intropa
Baumaschinen-Handelsges. m. b. H.
Lengfelden 135
A-5101 Bergheim/Salzburg
Tel. (0662) 520 11-0
Telex: 633 954
Telefax: (0662) 520 11 10